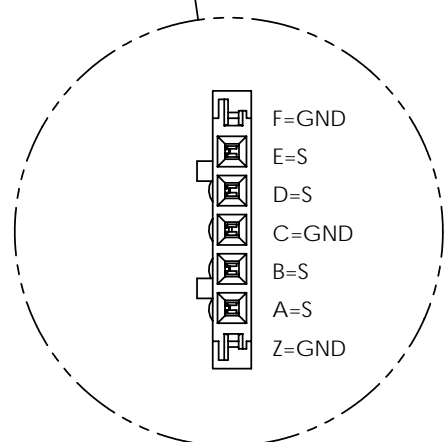
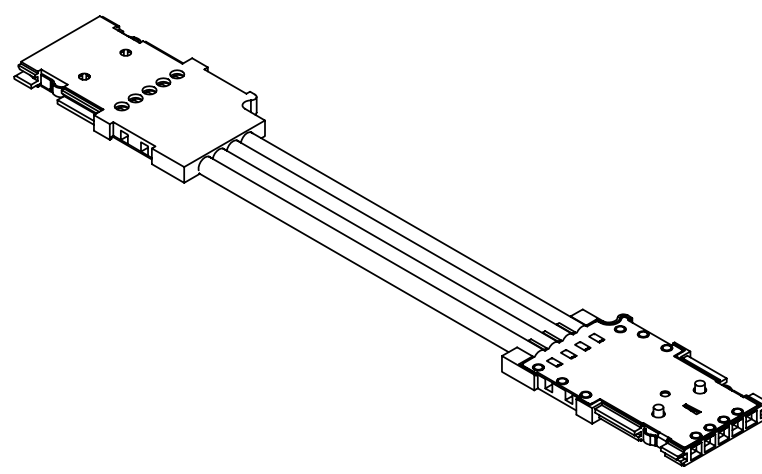
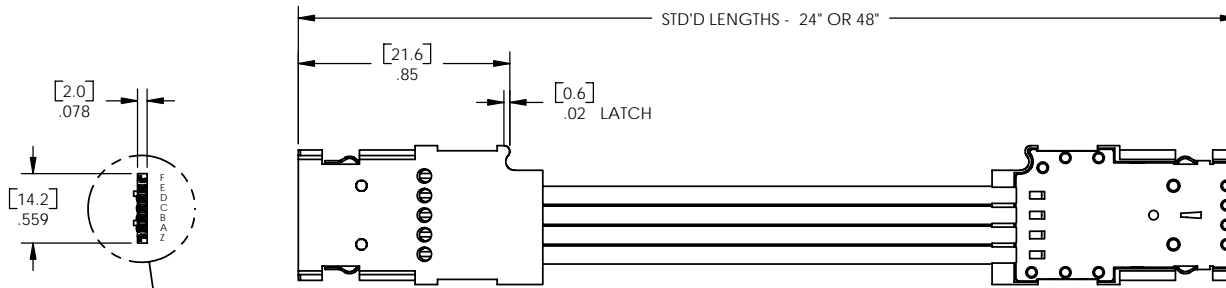


SYM	REVISION	DATE	BY
A	ECO#-1235-088	3/11/05	JCD
B	ECO # 1235-094	6/29/06	JCD



DETAIL A  
SCALE 4 : 1

**SPECIFICATIONS:**

**CONTACT MATERIAL:**  
COPPER ALLOY

**CONTACT PLATING:**  
SELECTIVE 30 MICROINCHES MIN GOLD  
OVER 75 MICROINCHES MIN NICKEL

**PLASTIC:**

LCP, UL94V-0, COLOR: BLACK

**SHIELD:**

COPPER ALLOY


**CABLE:**

4 LINES, 50 OHM  
26 AWG COAX  
MERITEC P/N - #700129

**PINOUT:**

+ ,S,S,G,S,S,+  
GND TO SHIELD - TAB C

TO REQUEST A RoHS COMPLIANT  
ASSEMBLY ADD "R1" AFTER LENGTH  
DESIGNATION IN PART NO.  
EX-> 980129-024R1

THIS DOCUMENT AND THE INFORMATION IN IT ARE CONFIDENTIAL PROPERTY OF MERITEC. THE DOCUMENT AND INFORMATION ARE PROVIDED TO YOU FOR YOUR REVIEW AND EVALUATION AND MUST NOT BE FURNISHED OR DISCLOSED TO OTHERS WITHOUT PRIOR WRITTEN CONSENT BY AN AUTHORIZED REPRESENTATIVE OF MERITEC.	UNLESS OTHERWISE NOTED DIMENSIONS ARE IN (METRIC)/INCHES			 A DIVISION OF ASSOCIATED ENTERPRISES CONFIDENTIAL PROPRIETARY INFORMATION
	.XX	.XXX	.XXXX	
	+ [ ]	+ [ ]	+ [ ]	PROJECT No: HPM 1X5+2 COAX CABLE SCALE: NA SHEET: 1 OF 1
	ANGLES	FINISH		PROJECT No: NA SCALE: 1 OF 1
	DRAWN: JCD CHECKED: RELEASED:	DATE: 2/24/2004 DATE: DATE:	DATE: DATE:	PROJECT No: NA SCALE: 1 OF 1
NEXT ASSY DWG.	DWG No: 980129 + LENGTH	SHEET: B		