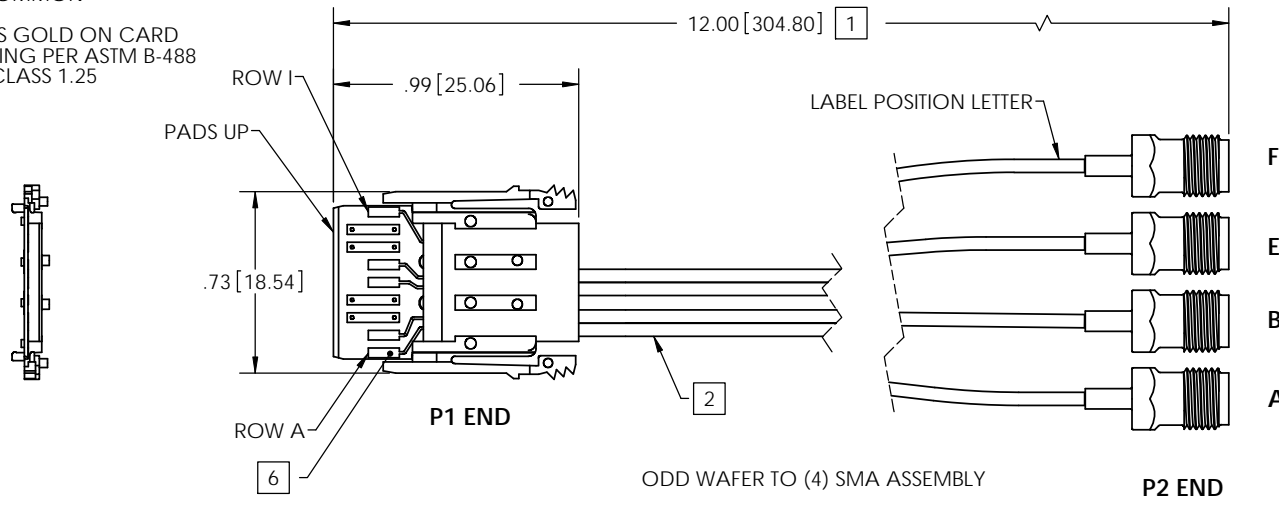


NOTES:

- 1 TOLERANCE TABLE
- 2 LABEL INCLUDES MERITEC; DATE CODE; AND PART NUMBER
- 3 CABLE 30 AWG, MERITEC PN 700336-01
- 4 RoHS COMPLIANT
- 5 ALL GROUNDS COMMON
- 6 50 MICRO-INCHES GOLD ON CARD EDGE PADS; PLATING PER ASTM B-488 TYPE 1, CODE C CLASS 1.25

"L" LENGTH	TOLERANCE
UNDER 36" (915mm)	±0.5" (13mm)

REV.	ECO	DATE	DRAWN BY
A	2096-41816	11/09/2010	CWB
B	2096-41917	3/30/2011	BAW
C	2096-41937	4/15/2011	BAW



PINOUT - ODD WAFER ASSEMBLY TO 4 SMA			
P1 END		P2 END	
Pos# (Pin, Row)	ASSIGN	Pos# (Pin, Row)	ASSIGN
P1-I			
P1-H	GND		
P1-G	GND		
P1-F	SIG	F	
P1-E	SIG	E	
P1-D	GND		
P1-C	GND		
P1-B	SIG	B	
P1-A	SIG	A	

**MERITEC P/N
98141OSM336-012**

CONFIDENTIAL AND PROPRIETARY NOTICE
This document and the information contained in it are confidential property of Meritec. The document and information are provided to you for your review and evaluation and must not be furnished or disclosed to other without prior written consent by an authorized representative of Meritec.

©Meritec 2009
All rights reserved.

UNLESS OTHERWISE NOTED DIMENSION ARE IN INCHES[METRIC]			
.XX	.XXX	.XXXX	
* II	* I	* I	
ANGLES ± I	FINISH:		
DRAWN: C. BALDMANN	DATE: 11/09/2010	TITLE:	
MODIFIED: BWALTERS	DATE: 4/15/2011	PROJECT NUMBER 2096	
RELEASED:	DATE:	DOCUMENT NUMBER 2096-0143718	SHEET 1 OF 1
SCALE NONE		REV C	

MERITEC
A DIVISION OF ASSOCIATED ENTERPRISES
CONFIDENTIAL PROPRIETARY INFORMATION

**ODD WAFER ULTRA-THIN
PIPE TO SMA'S 12" LONG**

PROJECT NUMBER
2096

DOCUMENT NUMBER
2096-0143718

SHEET
1 OF 1

REV
C