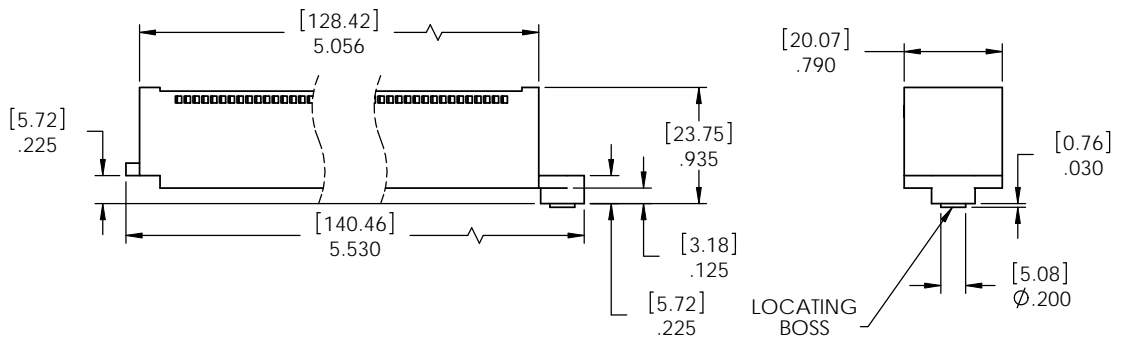
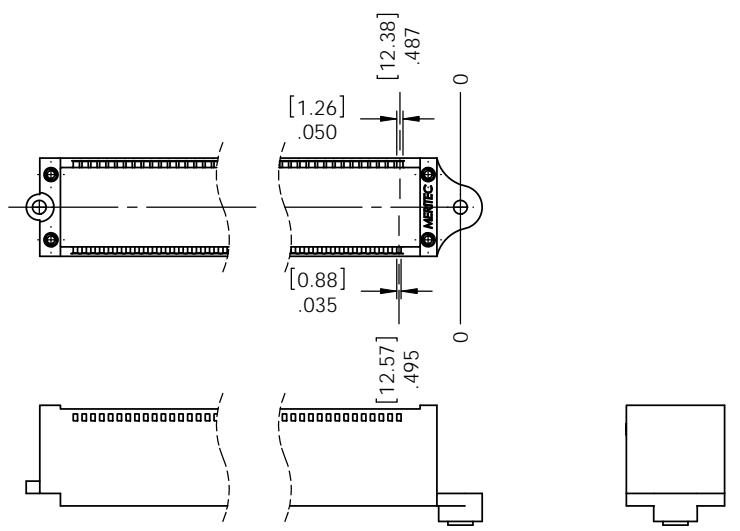
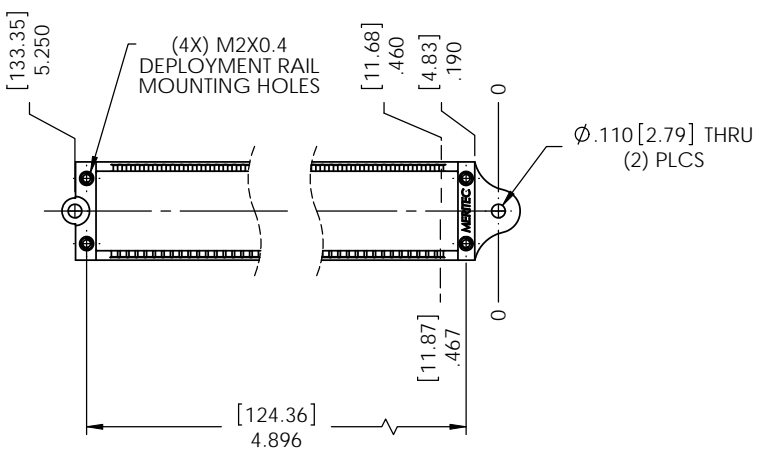


REV.	ECO	DATE	DRAWN BY
A	2096-42011	8/2/2011	BAW



LONG HOUSING KIT (6U SECTION)	
P/N 981426UR (REAR)	
QTY.	DESCRIPTION
1	HOUSING (LONG REAR)
2	KEYED GUIDE POST
2	POSITIONING PLUG (1)BLUE, (1)NEUTRAL
2 EA.	SCREWS M2.5 X .45 (10mm, 12mm, 16mm LG.)

LONG HOUSING KIT (6U SECTION)	
P/N 981426UF (FRONT)	
QTY.	DESCRIPTION
1	HOUSING (LONG FRONT)
2	KEYED GUIDE POST
2	POSITIONING PLUG (1)BLUE, (1)NEUTRAL
2 EA.	SCREWS M2.5 X .45 (10mm, 12mm, 16mm LG.)

**CONSULT FACTORY FOR ORDERING INFORMATION AT 888-MERITEC OR INFO@MERITEC.COM**

**CONFIDENTIAL AND PROPRIETARY NOTICE**  
 This document and the information contained in it are confidential property of Meritec. The document and information are provided to you for your review and evaluation and must not be furnished or disclosed to other without prior written consent by an authorized representative of Meritec.

©Meritec 2011  
 All rights reserved.

UNLESS OTHERWISE NOTED DIMENSION ARE IN METRIC/ INCHES		
.XX	.XXX	.XXXX
* I	* I	* I
ANGLES ± I	FINISH:	
DRAWN: BWALTERS	DATE: 8/2/2011	TITLE:
MODIFIED: BWALTERS	DATE: 8/2/2011	PROJECT NUMBER: 2096
RELEASED:	DATE:	DOCUMENT NUMBER: 2096-0147077
	SCALE: NONE	SHEET: 1 OF 1
		REV: A



**VPX LONG HOUSING KITS**

PROJECT NUMBER: 2096  
 DOCUMENT NUMBER: 2096-0147077  
 SHEET: 1 OF 1  
 REV: A