

NOTES:

1 TOLERANCE TABLE

"L" LENGTH	TOLERANCE
UNDER 36" (915mm)	±0.5" (13mm)
36" - 120" (915mm - 3050mm)	±1.0" (25mm)
120" -240" (3050mm - 6100mm)	±2.0"(51mm)

2 LABEL INCLUDES MERITEC; DATE CODE; AND PART NUMBER

3 CABLE 30 AWG, MERITEC PN 700336-01

4 RoHS COMPLIANT

5 ALL GROUNDS COMMON IN EACH SUB ASSEMBLY

6 50 MICRO-INCHES GOLD ON CARD EDGE PADS;  
PLATING PER ASTM B-488 TYPE 1, CODE C CLASS 1.25

REV.	ECO	DATE	DRAWN BY
A	2096-43012	11/17/2014	CWB
B	2096-43354	6/25/2015	CWB
C	2096-43936	6/14/2016	CWB

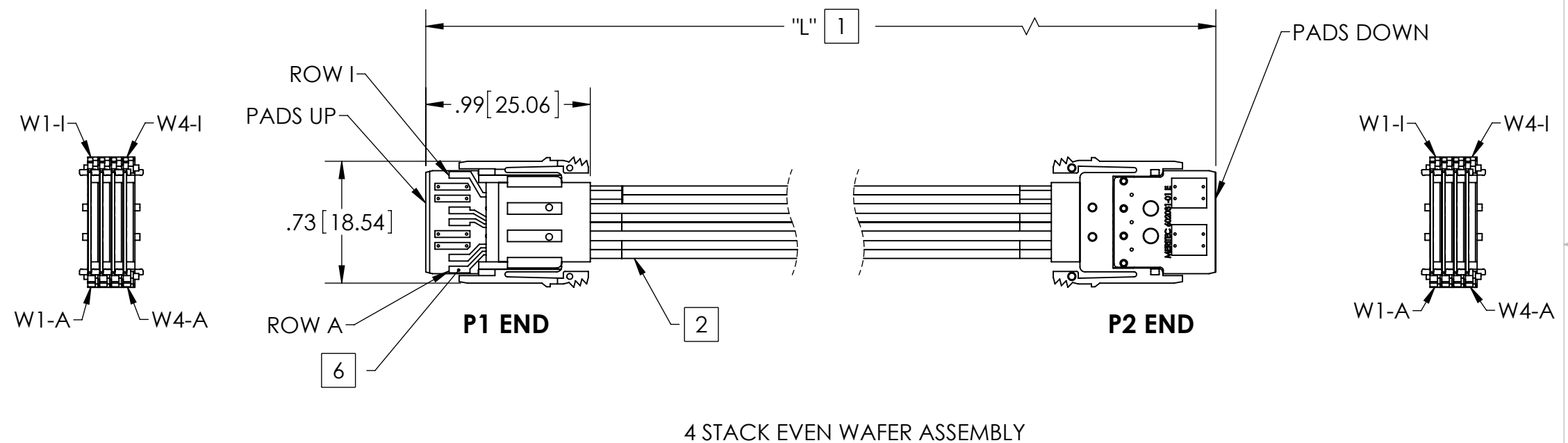
PINOUT - 4 STACK EVEN WAFER ASSEMBLY (C)

P1 END		P2 END	
Pos# (Pin, Row)	ASSIGN	Pos# (Pin, Row)	ASSIGN
W1-I	GND	W1-I	GND
W1-H	SIG	W1-D	SIG
W1-G	SIG	W1-C	SIG
W1-F	GND	W1-F	GND
W1-E	GND	W1-E	GND
W1-D	SIG	W1-H	SIG
W1-C	SIG	W1-G	SIG
W1-B	GND	W1-B	GND
W1-A	GND	W1-A	GND

W2-I	N/C	W2-I	N/C
W2-H	GND	W2-H	GND
W2-G	GND	W2-G	GND
W2-F	SIG	W2-B	SIG
W2-E	SIG	W2-A	SIG
W2-D	GND	W2-D	GND
W2-C	GND	W2-C	GND
W2-B	SIG	W2-F	SIG
W2-A	SIG	W2-E	SIG

W3-I	GND	W3-I	GND
W3-H	SIG	W3-D	SIG
W3-G	SIG	W3-C	SIG
W3-F	GND	W3-F	GND
W3-E	GND	W3-E	GND
W3-D	SIG	W3-H	SIG
W3-C	SIG	W3-G	SIG
W3-B	GND	W3-B	GND
W3-A	GND	W3-A	GND

W4-I	N/C	W4-I	N/C
W4-H	GND	W4-H	GND
W4-G	GND	W4-G	GND
W4-F	SIG	W4-B	SIG
W4-E	SIG	W4-A	SIG
W4-D	GND	W4-D	GND
W4-C	GND	W4-C	GND
W4-B	SIG	W4-F	SIG
W4-A	SIG	W4-E	SIG



WAFER NUMBER REFERS TO POSITION IN THE STACK, NOT THE LOCATION ONCE MATED.

MERITEC P/N	"L"
98141EFP336-006	6"
98141EFP336-012	12"
98141EFP336-018	18"
98141EFP336-024	24"

**CONFIDENTIAL AND PROPRIETARY NOTICE**

This document and the information contained in it are confidential property of Meritec. The document and information are provided to you for your review and evaluation and must not be furnished or disclosed to others without prior written consent by an authorized representative of Meritec.

©Meritec 2014  
All rights reserved.

UNLESS OTHERWISE NOTED  
DIMENSION ARE IN INCHES/[METRIC]

.XX ± []	.XXX ± []	.XXXX ± []
ANGLES ± []	FINISH:	
DRAWN: C.BAUMANN	DATE: 11/17/2014	
MODIFIED: C.BAUMANN	DATE: 06/14/2016	
RELEASED:	DATE:	



TITLE  
**VPX-VPX  
EVEN WAFER FAT PIPE**

PROJECT NUMBER <b>2096</b>	SHEET <b>1 OF 1</b>
DOCUMENT NUMBER <b>2096-0143698</b>	REV <b>C</b>

SCALE  
**NONE**