

3 new sizes  
soon to be offered...



Space-Grade Versions  
— Available —

Meritec's Hercules HS-D, High Speed D-Sub, embedded in the rugged rectangular Style MIL-STD-24308 shell provides both durable and high-bandwidth interconnect schemes suitable for Military, Aerospace, and ruggedized commercial high-bandwidth applications not previously accommodated by Industry standard connectors.

## Features & Benefits

- Rugged lightweight machined Style MIL-STD-24308 shells
- Shells include gasketing to provide IP67 and EMI protection with various backshells and plating finishes
- Available as Plug-Cable Assemblies and Panel-Mount, Board-Mount Receptacles with SMT Tails
- Available in Shell Sizes DE, DA, DB, DC, and DD
- Available in positions 19, 31, 51, 75, and 108
- Supports data rates in excess of 10 Gb/s and differential-pair signaling with low-skew pairs and shielding for EMI/RFI protection
- Matched impedance design of 100 ohm
- Cable types available in 24, 26, 28, and 30 AWG
- Jacket types available: LSZH, PVC, FEP, and Halar Expando
- Custom-length cable assemblies available
- Fully electrically tested

## Specifications

### Electrical

- Impedance:  $100 \pm 5$  ohms differential at 100ps rise time
- Cross talk (NEXT):  $< -40$  dB up to 7 GHz from multiple aggressors
- Insertion loss:  $< -1$  dB up to 10 GHz
- Return loss:  $< -20$  dB up to 10 GHz
- Power per contact: 3 amp
- DWV: No defect for 1 min at 300 VDC

### Mechanical

- Contact material: Copper Alloy
- Standard contact finish: 50  $\mu$ -inch min AU over 100  $\mu$ -inch min Ni
- Contact durability: 10,000 cycles
- Shell Material: Aluminum Alloy / Zinc Alloy
- Shell Plating: Chromate over Cadmium, Electroless Nickel

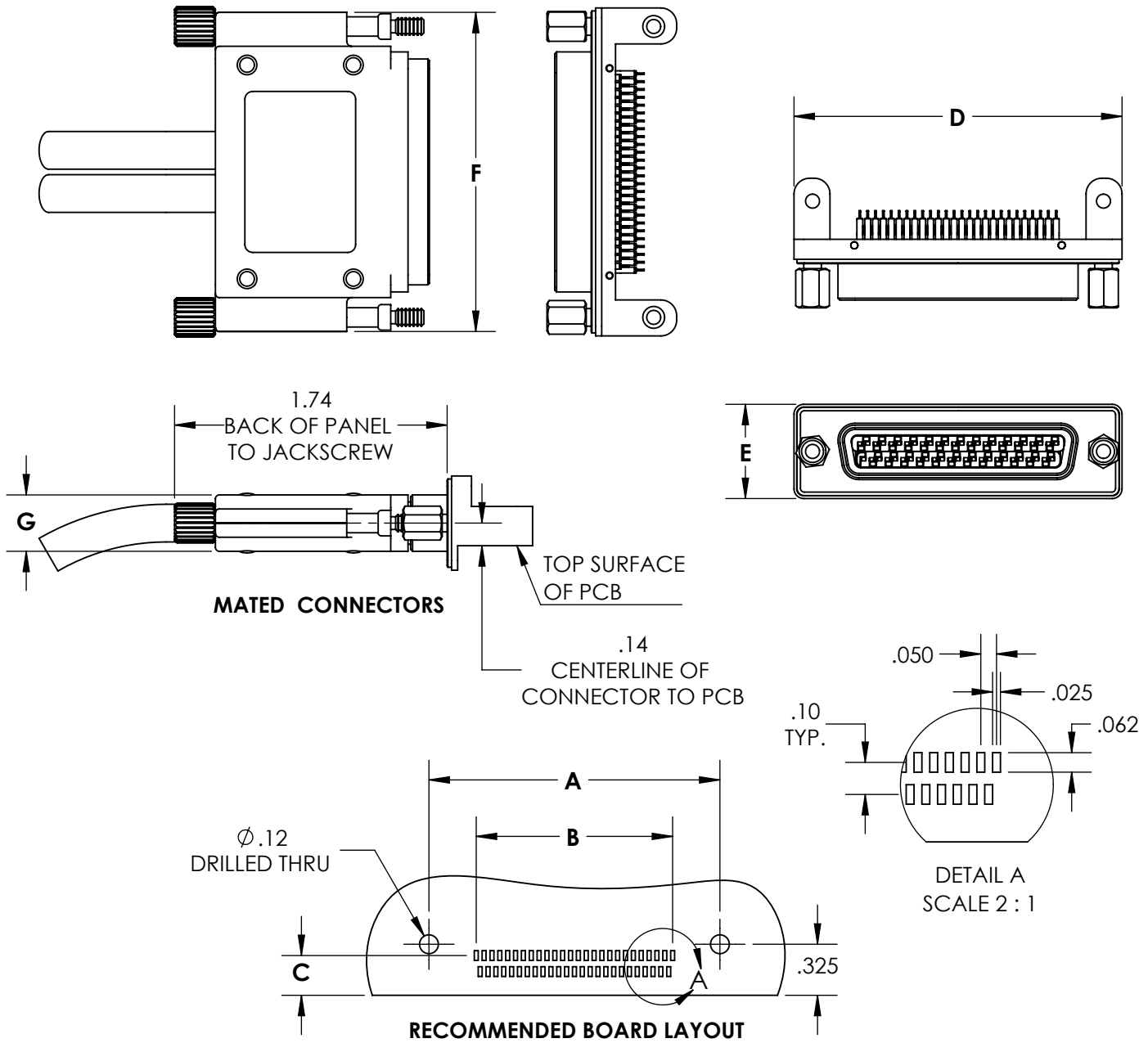
### Environmental

- $-40$  °C to  $+125$  °C

### CONFIDENTIAL AND PROPRIETARY NOTICE

This document and the information contained in it are confidential property of Meritec. The document and information are provided to you for your review and evaluation and must not be furnished or disclosed to others without prior written consent by an authorized representative of Meritec.





Shell Size	Number of Contacts	Number of Differential Pairs	A	B	C	D	E	F	G
DE (Ref. 9)	19	5 + 2 Spare	.980	.400	.250	1.21	.60	1.16	.36
DA (Ref. 15)	31	9 + 3 Spare	1.310	.750	.250	1.54	.60	1.49	.36
DB (Ref. 25)	51	16 + 1 Spare	1.850	1.250	.250	2.09	.60	2.03	.36
DC (Ref. 37)	75	24 + 1 Spare	2.500	1.850	.250	2.73	.60	2.68	.36
*DD (Ref. 50)	108	34 + 3 Spare	2.410	1.800	.350	2.64	.70	2.59	.46

\* THIS SIZE CONTAINS 3 ROWS OF CONTACTS.  
 ALL OTHER SIZES CONTAIN 2 ROWS OF CONTACTS.

ALL DIMENSIONS ARE IN INCHES



## CONFIDENTIAL AND PROPRIETARY NOTICE

This document and the information contained in it are confidential property of Meritec. The document and information are provided to you for your review and evaluation and must not be furnished or disclosed to others without prior written consent by an authorized representative of Meritec.

[Visit us online!](#)

