

NOTES:

1 TOLERANCE TABLE

| "L" LENGTH | TOLERANCE |
|------------------------------|--------------|
| UNDER 36" (915mm) | ±0.5" (13mm) |
| 36" - 120" (915mm - 3050mm) | ±1.0" (25mm) |
| 120" -240" (3050mm - 6100mm) | ±2.0"(51mm) |

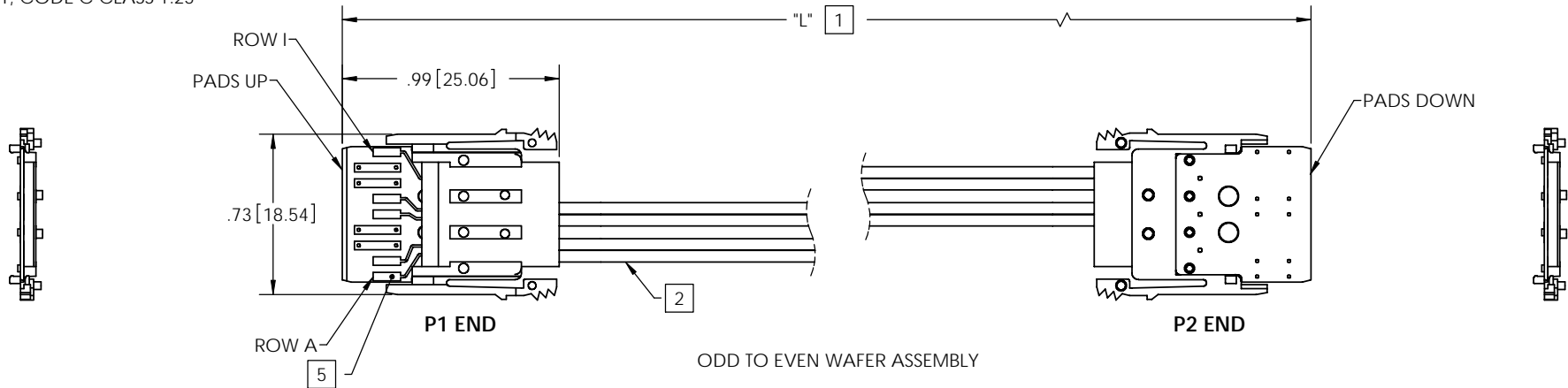
2 LABEL INCLUDES MERITEC; DATE CODE; AND PART NUMBER

3 CABLE 30 AWG, MERITEC PN 700336-01

4 RoHS COMPLIANT

5 50 MICRO-INCHES GOLD ON CARD EDGE PADS; PLATING PER ASTM B-488 TYPE 1, CODE C CLASS 1.25

| REV. | ECO | DATE | DRAWN BY |
|------|------------|------------|----------|
| A | 2096-41816 | 11/09/2010 | CWB |
| B | 2096-41917 | 3/30/2011 | BAW |
| C | 2096-41937 | 4/15/2011 | BAW |



ODD TO EVEN WAFER ASSEMBLY

NOTE: ALL GROUNDS COMMON

| PINOUT - ODD TO EVEN WAFER ASSEMBLY | | | |
|-------------------------------------|--------|-----------------|--------|
| P1 END | | P2 END | |
| Pos# (Pin, Row) | ASSIGN | Pos# (Pin, Row) | ASSIGN |
| W1-I | N/C | W1-I | GND |
| W1-H | GND | W1-F | GND |
| W1-G | GND | W1-E | GND |
| W1-F | SIG | W1-D | SIG |
| W1-E | SIG | W1-C | SIG |
| W1-D | GND | W1-B | GND |
| W1-C | GND | W1-A | GND |
| W1-B | SIG | W1-H | SIG |
| W1-A | SIG | W1-G | SIG |

| MERITEC P/N | "L" |
|-----------------|-----|
| 981410EW336-006 | 6" |
| 981410EW336-012 | 12" |
| 981410EW336-018 | 18" |
| 981410EW336-024 | 24" |

CONFIDENTIAL AND PROPRIETARY NOTICE
 This document and the information contained in it are confidential property of Meritec. The document and information are provided to you for your review and evaluation and must not be furnished or disclosed to other without prior written consent by an authorized representative of Meritec.

©Meritec 2009
 All rights reserved.

UNLESS OTHERWISE NOTED
 DIMENSION ARE IN INCHES (METRIC)

.XX * I | .XXX * I | .XXXX * I I

ANGLES ± I | FINISH:

DRAWN: C.BAUMANN | DATE: 11/09/2010

MODIFIED: BWALTERS | DATE: 4/15/2011

RELEASED: | DATE:

SCALE: NONE



TITLE: VPX-VPX, ODD-EVEN WAFER ULTRA-THIN PIPE

PROJECT NUMBER: 2096

DOCUMENT NUMBER: 2096-0143750

SHEET: 1 OF 1

REV: C