

NOTES:

1 TOLERANCE TABLE

"L" LENGTH	TOLERANCE
UNDER 36" (915mm)	±0.5" (13mm)
36" - 120" (915mm - 3050mm)	±1.0" (25mm)
120" -240" (3050mm - 6100mm)	±2.0"(51mm)

2 LABEL INCLUDES MERITEC; DATE CODE; AND PART NUMBER

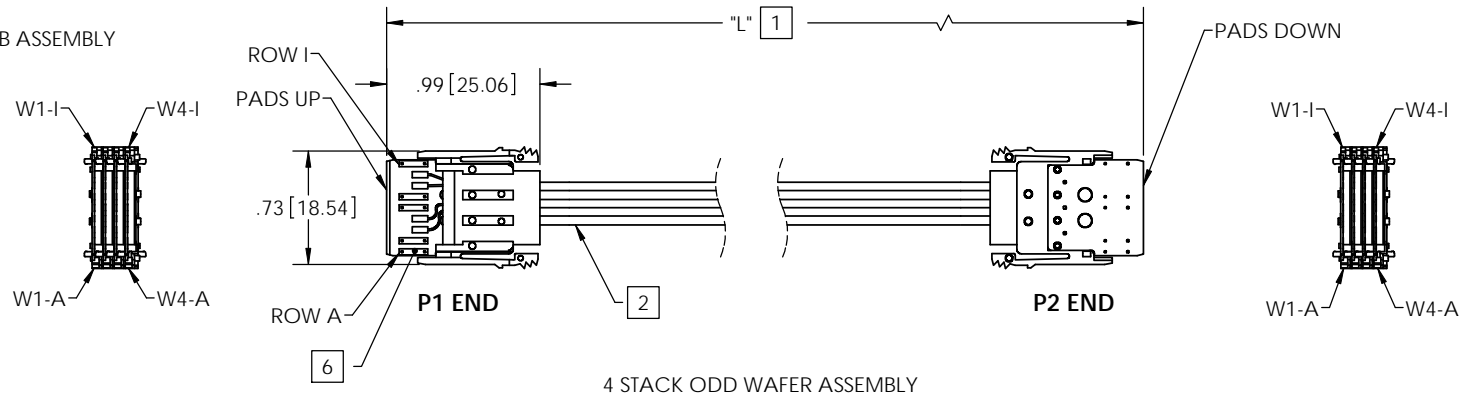
3 CABLE 30 AWG, MERITEC PN 700336-01

4 ROHS COMPLIANT

5 ALL GROUNDS COMMON IN EACH SUB ASSEMBLY

6 50 MICRO-INCHES GOLD ON CARD EDGE PADS; PLATING PER ASTM B-488 TYPE 1, CODE C CLASS 1.25

REV.	ECO	DATE	DRAWN BY
A	2096-41816	11/09/2010	CWB
B	2096-41917	3/30/2011	BAW
C	2096-41937	4/14/2011	BAW



PINOUT - 4 STACK ODD WAFER ASSEMBLY			
P1 END		P2 END	
Pos# (Pin, Row)	ASSIGN	Pos# (Pin, Row)	ASSIGN
W1-I	N/C	W1-I	N/C
W1-H	GND1	W1-H	GND1
W1-G	GND1	W1-G	GND1
W1-F	SIG	W1-B	SIG
W1-E	SIG	W1-A	SIG
W1-D	GND1	W1-D	GND1
W1-C	GND1	W1-C	GND1
W1-B	SIG	W1-F	SIG
W1-A	SIG	W1-E	SIG
W2-I	GND2	W2-I	GND2
W2-H	SIG	W2-D	SIG
W2-G	SIG	W2-C	SIG
W2-F	GND2	W2-F	GND2
W2-E	GND2	W2-E	GND2
W2-D	SIG	W2-H	SIG
W2-C	SIG	W2-G	SIG
W2-B	GND2	W2-B	GND2
W2-A	GND2	W2-A	GND2
W3-I	N/C	W3-I	N/C
W3-H	GND3	W3-H	GND3
W3-G	GND3	W3-G	GND3
W3-F	SIG	W3-B	SIG
W3-E	SIG	W3-A	SIG
W3-D	GND3	W3-D	GND3
W3-C	GND3	W3-C	GND3
W3-B	SIG	W3-F	SIG
W3-A	SIG	W3-E	SIG
W4-I	GND4	W4-I	GND4
W4-H	SIG	W4-D	SIG
W4-G	SIG	W4-C	SIG
W4-F	GND4	W4-F	GND4
W4-E	GND4	W4-E	GND4
W4-D	SIG	W4-H	SIG
W4-C	SIG	W4-G	SIG
W4-B	GND4	W4-B	GND4
W4-A	GND4	W4-A	GND4

MERITEC P/N	"L"
981410FP336-006	6"
981410FP336-012	12"
981410FP336-018	18"
981410FP336-024	24"

**CONFIDENTIAL AND PROPRIETARY NOTICE**  
 This document and the information contained in it are confidential property of Meritec. The document and information are provided to you for your review and evaluation and must not be furnished or disclosed to other without prior written consent by an authorized representative of Meritec.  
 ©Meritec 2009  
 All rights reserved.

UNLESS OTHERWISE NOTED DIMENSION ARE IN INCHES (METRIC)		
.XX	.XXX	.XXXX
* II	* I	* I
ANGLES ±I	FINISH:	
DRAWN: C.BAUMANN	DATE: 11/09/2010	TITLE:
MODIFIED: BWALTERS	DATE: 4/14/2011	PROJECT NUMBER: 2096
RELEASED:	DATE:	DOCUMENT NUMBER: 2096-0143704
SCALE: NONE		SHEET: 1 OF 1
		REV: C

**MERITEC**  
 A DIVISION OF ASSOCIATED ENTERPRISES  
 CONFIDENTIAL PROPRIETARY INFORMATION

**VPX-VPX ODD WAFER FAT PIPE**

PROJECT NUMBER: 2096  
 DOCUMENT NUMBER: 2096-0143704  
 SHEET: 1 OF 1  
 REV: C