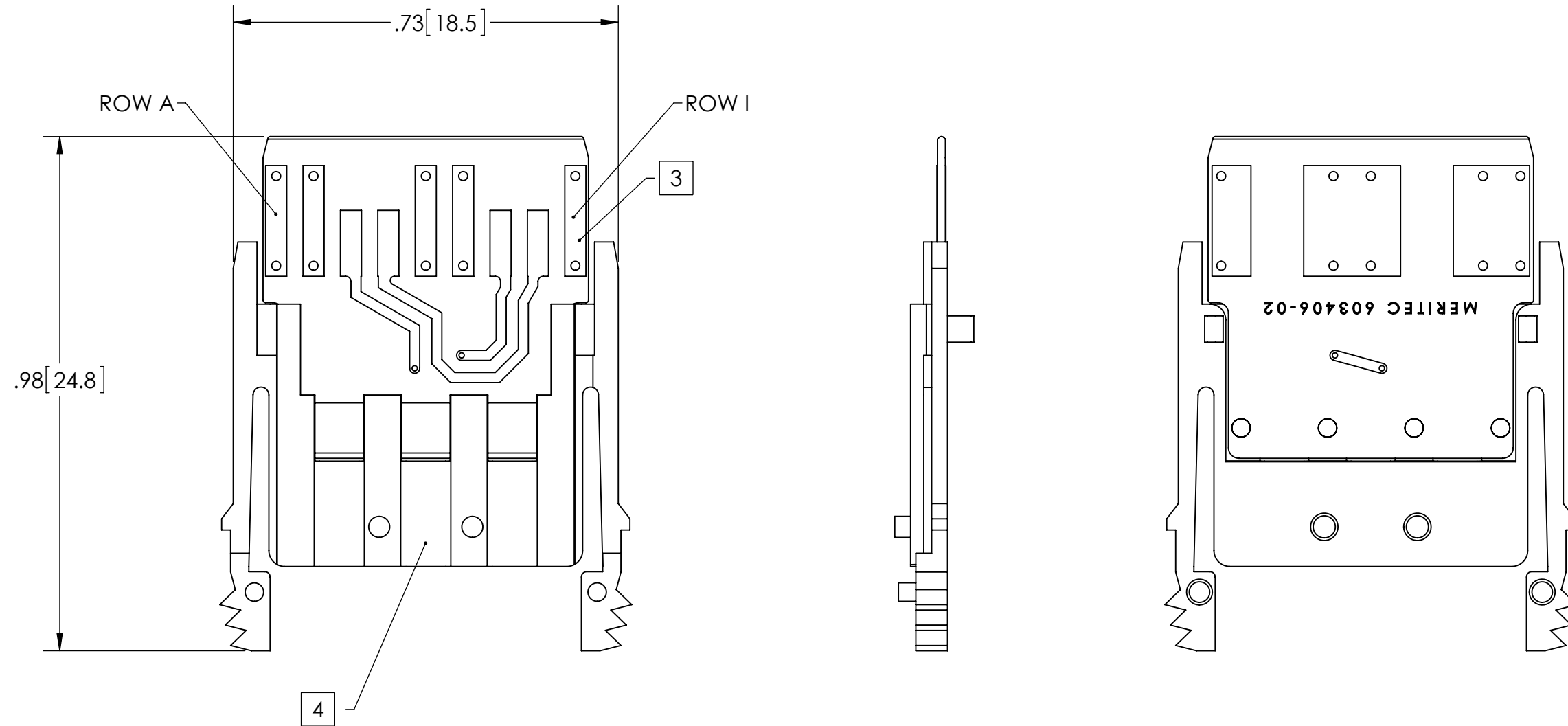


REV.	ECO	DATE	DRAWN BY
A	2096-44105	10/26/2016	CWB

NOTES:

- 1 SIGNALS: C TO G AND D TO H
- 2 ALL GROUNDS COMMON: A,B,E,F,I
- 3 50 MICRO-INCHES GOLD ON CARD EDGE PADS; PLATING PER ASTM B-488 TYPE 1, CODE C CLASS 1.25
- 4 WAFER BODY: LCP
- 5 100 OHM DIFFERENTIAL
- 6 RoHS COMPLIANT




PACKAGED (4) EVEN LOOPBACK ASSEMBLIES PER PART NUMBER.

**MERITEC P/N
98141ELB**

CONFIDENTIAL AND PROPRIETARY NOTICE
This document and the information contained in it are confidential property of Meritec. The document and information are provided to you for your review and evaluation and must not be furnished or disclosed to other without prior written consent by an authorized representative of Meritec.
©Meritec 2016
All rights reserved.

UNLESS OTHERWISE NOTED DIMENSION ARE IN INCHES [MILLIMETERS]		
.XX ± []	.XXX ± []	.XXXX ± []
ANGLES ± []	FINISH:	
DRAWN: C.BAUMANN	DATE: 10/26/2016	
MODIFIED: C.BAUMANN	DATE: 10/26/2016	
RELEASED:	DATE:	
SCALE NONE		DOCUMENT NUMBER 2096-0183363

 MERITEC <small>A DIVISION OF ASSOCIATED ENTERPRISES CONFIDENTIAL PROPRIETARY INFORMATION</small>	TITLE
	VPX EVEN LOOPBACK ASSY
PROJECT NUMBER 2096	SHEET 1 OF 1
DOCUMENT NUMBER 2096-0183363	REV A